

Connectivity.Assured

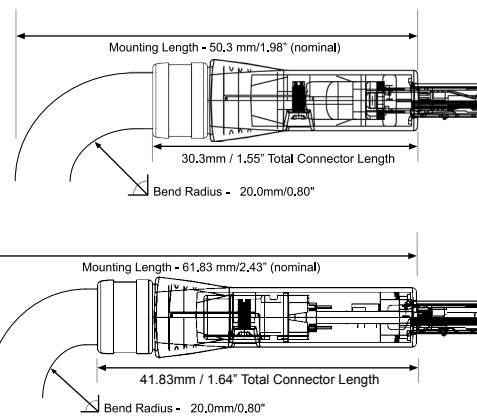
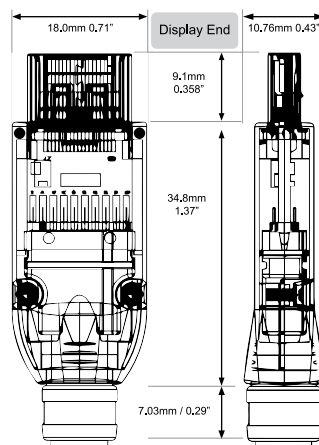
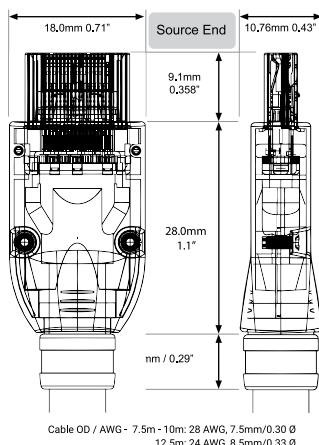
PRS³ 4K UHD 18Gbps Active HDMI[®] Cable

Kordz PRS³ features a narrow profile full metal die-cast shell assembly behind a unique grip tab HDMI connector for 3kg receptacle retention capacity. Engineered to mitigate connector dropout potential - not suitable for repeated plug/unplug events.

- ▶ DPL Certified 4K 18G-DC
- ▶ High Speed with Ethernet on all lengths
- ▶ Spectra 7 Active 7.5m - 12.5m lengths, optimised with VerifEYE™
- ▶ Engineered to fit through 1" conduit
- ▶ Infrared soldered pin transitions for benchmark inter-terminal uniformity
- ▶ Unique grip tab connectors for permanent installations
- ▶ 100% of units tested on the production line for electrical continuity on all pins, with full Bit Error Rate (BER) application test
- ▶ UL CMG fire rated in all lengths
- ▶ Limited 5 Year Warranty
- ▶ **Licensed HDMI 2.0 Adopter company**



| Technical Specifications | |
|---|---|
| HDMI Certification | 7.5m - 12.5m ACTIVE |
| HDMI CTS (Certified Test Specification) | High Speed with Ethernet |
| DPL Labs Certified Data Rate | 6.0Gbps, 17.82Gbps agg |
| Supported Data Rate | ≥ 6.0Gbps, 17.82Gbps agg (4K UHD) |
| HDMI Clock | 27-340MHz |
| Construction | |
| Primary Conductors | Solid 24-28 AWG OFC, length dependent |
| Insulation | TMD5 HDPE |
| | 4C + HEAC Pairs HDPE / Foamed PE / Polyolefin, length dependent |
| Shielding | TDMS Pairs AI / Mylar |
| | Overall AL/Mylar + AL braid 80% coverage |
| Cable Jacket | UL CMG fire rated PVC |
| HDMI Connector Shell | Pressed steel with dual grip tabs, 1µ" 24K Gold plated |
| HDMI Connector Pins | Solid OFC, 15µ" 24K Gold plated |
| Termination | Contactless IR induction soldering |
| HDMI Backshells | Orange & Charcoal powder coated with stoving varnish die-cast zinc alloy shell assembly |
| Mechanical | |
| Cable Diameter | 7.5m - 10.0m: 28 AWG, 7.5mm/0.30" ø 12.5m: 24 AWG, 8.5mm/0.33" ø |
| Mounting Depth | Source End: 63.0mm/2.48" & Display End: 74.0mm/2.91" |
| Cable Bend Radius | 7.5m - 10.0m: 28 AWG, 35.0mm/1.38" 12.5m: 24 AWG, 24.0mm/1.65" |
| Retention Force (nom) | 29.7N (3kg / 6.6lbs) +10/-5% |



HDMI[®]
2.0 Adopter



PRS³ 4K UHD 18Gbps Active HDMI[®] Cable

| Application Specifications | |
|--|--|
| Video Format Support | Data rate per channel / Aggregate, TMDS Bandwidth |
| 480i/p, 576i/p | ≤ 540Mbps/1.62Gbps, 270MHz |
| 720p/1080i | 742.5Mbps/2.22Gbps, 371.25MHz |
| 1080p - 8-bit RGB/YCbCr 4:4:4, 10/12-bit 4:2:2 or 4:2:0 | |
| 23.98/24/29.97/30 | 742.5Mbps/2.22Gbps, 371.25MHz |
| 50/59.94/60 | 1.485Gbps/4.455Gbps, 742.5MHz |
| 3D-24/30 | 1.485Gbps/4.455Gbps, 742.5MHz |
| 3D-50/60 | 2.97Gbps/8.91Gbps, 1.485GHz |
| 1080p - 10/12/16-bit RGB/YCbCr 4:4:4 | |
| 50/59.94/60fps | 1.86-2.97Gbps/5.57-8.91Gbps, ≤ 1.485GHz |
| 2160p (UHD/4K) | |
| HDMI 1.4b - 8-bit RGB/YCbCr 4:4:4, 10/12-bit 4:2:2 or 4:2:0 | |
| 4096x2160p/24 (SMPTE) | 2.97Gbps/8.91Gbps, 1.485GHz |
| 3840x2160p/23.98/24/29.97/30 | 2.97Gbps/8.91Gbps, 1.485GHz |
| HDMI 2.0 - 8-bit YCbCr 4:2:0 | |
| 2160p*/50/59.94/60 | 2.97Gbps/8.91Gbps, 1.485GHz |
| HDMI 2.0Mode, 8-bit 4:4:4, 10/12-bit 4:2:2 or 16-bit 4:2:0 | |
| 2160p*/50/59.94/60-2D 9CEA-861-F | 5.94Gbps/17.82Gbps, 2.97GHz |
| 2160p*30-3D | 5.94Gbps/17.82Gbps, 2.97GHz |
| VESA Graphics | Supports all as defined by HDMI 2.0 specification, up to 17.82Gbps |
| Color Spaces | RGB, YCbCr, xvYCC, Adobe sRGB, sYCC601, ITU-BT.2020 |
| Audio Formats Support | PCM 2.0-7.1, DD/DTS HD 7.1, 3D Audio (10.2 22.2 30.2ch) |
| HDMI Audio Return Channel | Supported, System Dependant |

| Commercial Range Comparison Features | ONE | PRO | PRS ³ | R.3 |
|--|-------|--------|------------------|------|
| 1080p60 On all Lengths | ✓ | ✓ | ✓ | ✓ |
| 4K24 4:2:2 HDR12 | to 3m | to 5m | ✓ | ✓ |
| 4K60 4:4:4 8 Bit | | | ✓ | ✓ |
| 10.2 Gbps Guaranteed Bandwidth | to 3m | to 5m | ✓ | ✓ |
| 18.0 Gbps Guaranteed Bandwidth | | | ✓ | ✓ |
| Connector Retention Force | <1kg | 1kg | 3kg | 2kg |
| Dual wrap Al/Mylar + industry leading 90% coverage copper braid shield | | | | ✓ |
| DPL Labs Certified | | | ✓ | ✓ |
| THX Certified | | | | ✓ |
| Lifetime Warranty | ✓ | ✓ | ✓* | ✓ |
| Jacket Material - fire rating | | UL CMG | ✓** | LSZH |

* 5 Year Warranty on all Active & AOC HDMI Cables ** Available with fire ratings - UL CMG for all Passive/Active HDMI Cables & LSZH or CMP for AOC HDMI Cables

| Part No: | Length | AWG | Technology | Inner Ctn Qty | Inner Ctn Weight Kg | Master Ctn Qty | Master Ctn Weight Kg |
|----------------|----------------|-----|------------|---------------|---------------------|----------------|----------------------|
| K36136-0750-CH | 7.5m 24' 7" | 28 | Spectra 7 | 6 | 4.0 | 12 | 8.2 |
| K36136-1000-CH | 10.0m 32' 9" | 28 | Spectra 7 | 5 | 4.8 | 10 | 8.9 |
| K36136-1250-CH | 12.5m 41'0" | 24 | Spectra 7 | 4 | 5.3 | 8 | 10.7 |

