

Safety Instructions

1. Read Instructions - All the safety and operating instructions should be read before the equipment is operated.
2. Retain Instructions - The safety and operating instructions should be retained for future reference.
3. Heed Warnings - All warnings on the equipment in the operating instructions should be adhered to.
4. Follow Instructions - Follow all operating and user instructions.
5. Water and Moisture - The equipment should not be used near water; for example, near a bathtub, washbowl, kitchen sink, laundry tub, in a wet basement, or near a swimming pool.
6. Mounting - The equipment should be mounted or secured as recommended by the manufacturer.
7. Heat - The equipment should be situated away from heat sources such as radiators, heat registers, stoves, or other equipment (including amplifiers) that produce heat.
8. Power Sources - The product should be connected to a power supply only of the type described in the operating instructions or as marked on the equipment.
9. Grounding or Polarization - Precaution should be taken so that the grounding or polarization means of the product is not defeated.
10. Avoid spills and foreign objects. Ensure liquids and objects don't get into the product enclosure through any openings.
11. Damage Requiring Service - The equipment should be serviced by qualified service personnel when: the power supply cord or the plug has been damaged; objects have fallen, liquid has been spilled into the equipment; the equipment has been exposed to rain; the equipment does not appear to operate normally; or the equipment has been dropped or the enclosure is damaged.
12. Servicing - The user should not attempt to service the equipment beyond that described in the operating instructions. All other servicing should be referred to qualified service personnel.
13. Care - From time to time you should wipe any dust accumulation from the equipment with a soft dry cloth.



Note: This equipment has been tested and found to comply with the limits for a Class B digital device, pursuant to part 15 of the FCC rules. These limits are designed to provide reasonable protection against harmful interference in a residential installation. This equipment generates, uses and can radiate radio frequency energy and, if not installed and used in accordance with the instructions, may cause harmful interference to radio communications. However, there is no guarantee that interference will not occur in a particular installation. If this equipment does cause harmful interference to radio or television reception, which can be determined by turning the equipment off and on, the user is encouraged to try to correct the interference by one of or more of the following measures: reorient or relocate the receiving antenna; increase the separation between the equipment and receiver; connect the equipment into an outlet on a circuit different from that to which the receiver is connected, or consult the dealer or an experienced radio/TV technician for help.

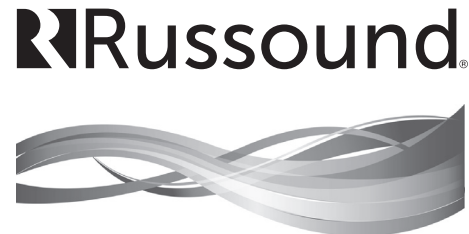
This Class B digital apparatus complies with Canadian ICES-003.

Cet appareil numérique de la classe B est conforme à la norme NMB-003 du Canada.

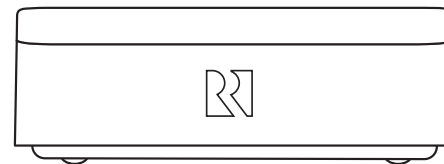
Limited Warranty

The Russound BTC-1x is fully guaranteed for two (2) years from the date of purchase against all defects in materials and workmanship. During this period Russound will replace any defective parts and correct any defect in workmanship without charge for either parts or labor. For this warranty to apply, the unit must be installed and used according to its written instructions. If service is necessary, it must be performed by Russound. Russound assumes no responsibility for defects resulting from abuse or servicing performed by an agency or person not specifically authorized in writing by Russound. Damage to or destruction of components due to improper use voids the warranty. In these cases the repair will be made at the owner's expense. Accidental damage and shipping damage are not considered defects under the terms of the warranty. To return for repairs, the unit must be shipped to Russound at the owner's expense, along with a Return Authorization number and documentation explaining the nature of the service required. Any product returned without prior written permission will be returned to sender. Russound sells products only through authorized Dealers and Distributors to ensure that customers obtain proper support and service. Any Russound product purchased from an unauthorized dealer or other source, including retailers, mail order sellers and online sellers will not be honored or serviced under existing Russound warranty policy. Any sale of products by an unauthorized source or other manner not authorized by Russound shall void the warranty on the applicable product.

To obtain Return Authorization please contact us at: rarequest@russound.com



BTC-1x Bluetooth® Remote Transceiver



Overview

BTC-1X Remote Transceiver accessory enables the user the ability to wirelessly stream source content from any *Bluetooth* enabled device to a Russound multiroom audio system. The BTC-1X connects via a single CAT 5 RJ-45 terminated cable. The CAT-5 cable carries power and balanced audio signals to the *Bluetooth* RJ-45 jack on the Russound multiroom products. The compact BTC-1X transceiver can sit on a flat surface, hide behind other equipment or be placed in a standard electrical box behind a wall-plate. This versatility allows for the *Bluetooth* transceiver to be placed in the most optimal position. Most *Bluetooth* products have very limited range based on near field usage. With the BTC-1X the user can listen to streaming wireless music and move throughout the listening area without interruption.

The BTC-1X can also be programmed using a micro USB cable. This feature offers a specific security code and the ability to name each BTC-1X connected in the system. This is handy when multiple *Bluetooth* transceivers are wired in close proximity to each other.

Russound, Inc.

5 Forbes Rd., Newmarket, NH 03857, USA
tel 603.659.5170 • fax 603.659.5388 www.russound.com
technical support: 866.888.7466
e-mail: tech@russound.com

28-1384 06.06.14

Testing

Verify the green LED is lit on the BTC-1X Remote Transceiver.

Turn on a *Bluetooth*® enabled source i.e. media player, smartphone, or computer. Open the *Bluetooth* menu and enable the pairing feature on the device. Select the Russound BTC-1X product by its configured name from the list of available *Bluetooth* enabled products. Enter PIN number 0000 to complete pairing.

Select the desired audio from the device and start the playback.

Connection Instructions

Read all instructions before starting the installation.

1. Determine the ideal location of the BTC-1X within the room
2. Wire the CAT-5 from the controller to the BTC-1X location
3. Add RJ-45 connectors to the CAT-5, follow the RJ-45 T568A Wiring Standard (show diagram)
4. Plug in each end of the RJ-45 into the appropriate jack on the controller labeled *Bluetooth* and the BTC-1X RJ-45 jack.
5. If you are planning more than one BTC-1X in a home, it is suggested that you program each BTC-1X. Follow the programming instructions noted below.

Programming instructions

The BTC-1X comes configured with the Name Russound and Passkey 0000. To create a more secure network, it is recommended that a unique Name and Passkey be created at the time of installation and provided to the homeowner.

Follow the steps below to create a unique Name and Passkey for each BTC-1X.

Note: CAT-5 cable must be connected during programming to provide power to BTC-1X.

1. Plug in the micro USB cable (included) to the USB programming port in the BTC-1X. (see diagram)
2. Connect the micro USB cable to the USB port on the PC.
3. Download the BSK-1 programming software from the dealer portal at www.russound.com.
4. Launch the BTC-1X Configuration Tool software.
5. Enter a unique Name and a numeric Passkey (minimum 4 digits), then Write to device.
6. Disconnect the micro USB cable from the BTC-1X first, then cycle the power on the BTC-1X by removing the CAT-5. Cycling the power will reboot the BTC-1X with the assigned custom Name and Passkey.

Source Configuration

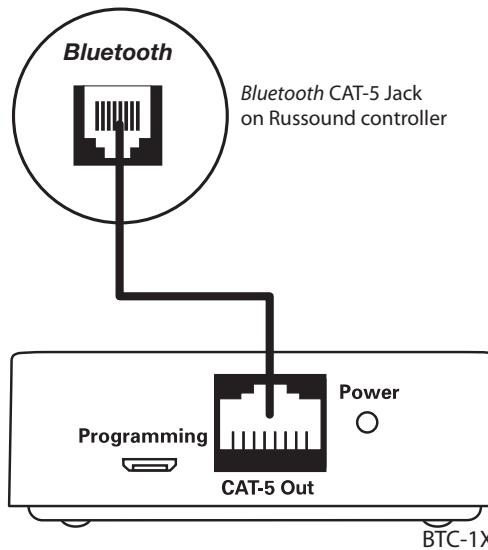
The BTC-1X is supported by Russound controllers with *Bluetooth* capability.

Refer to the Russound controller instruction manuals to connect and enable the *Bluetooth* source input.

Important Considerations

1. Disconnect the power cord to Russound controller before making any connections to the BTC-1X.
2. Verify all connections are correct and polarity on the connectors are correct. Follow T568A connections on all RJ-45 connections as show in the diagram.
3. Keep all power cords away from all signal cables. If you have to cross power cables, do so at 90 degrees and don't run the cables parallel with one another. Keep a distance of 12" away if running parallel to avoid induced noise on the CAT-5 cable.
4. Choose reliable signal cable and / or patch cords.

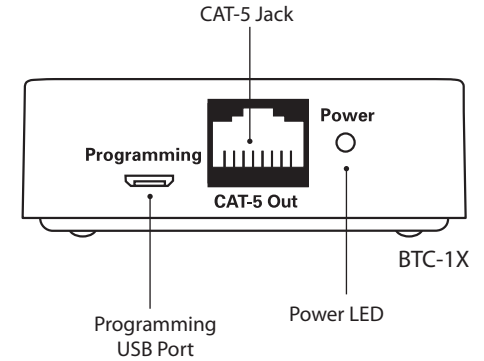
Connection Diagram



Specifications

BTC-1X Remote Transceiver

- Power requirements: supplied by controller via CAT-5
Frequency: 2,400-2,483.5 MHz
CAT-5 connection: RJ-45 (T568A standard)
Dimensions: 70mm x 56mm x 26mm (W x D x H)
Weight: 3.1 ounces
Max cable length: 300' (CAT-5) BTC-1X to controller
50' (15M) without obstruction



RJ-45 CAT-5 Wiring Scheme

