

# 2/4/5 Megapixel 12x H.265 Mini (PoE) PTZ Bullet Network Camera



MS-C2961-(R)E(P)B/MS-C4461-(H)E(P)B/  
MS-C5361-(H)E(P)B

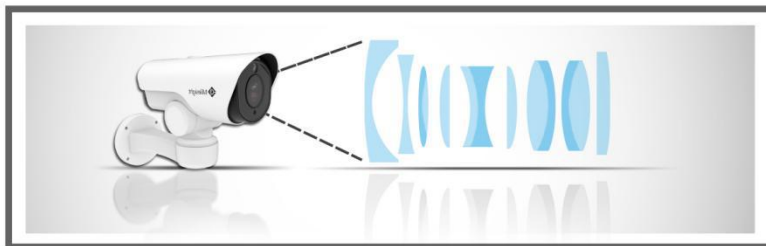
**DATASHEET**

## KEY FEATURES

- ▶ **Smart Stream** (Bandwidth, storage and bit rate save with Smart Stream ON, eg, H.265+ save 70%~80% bandwidth of H.264.)
- ▶ **Smart IR II** (Combining the High Beam and Low Beam to adjust IR intensity to fit different lighting conditions.)
- ▶ **140dB Super WDR** (Excellent performance even when the ratio of the luminosity of brightest and darkest is up to 140dB.)
- ▶ **Video Content Analysis** (With 10 detection modes, VCA greatly enhances the performance bringing comprehensive surveillance functions.)
- ▶ **Smart PTZ Motion Detection** (Pan and tilt to the position of motion detected area automatically and zoom in synchronously.)
- ▶ **255 Preset Positions** (The user can easily control the lens position via mouse to monitor interested area and set up to 255 preset positions for patrolling.)
- ▶ **Keyboard Control** (Shortcut keys for PTZ control via Milesight Keyboard.)
- ▶ **Breathable Screw-in Vent** (High weather-proof and air permeable performance to reduce fogging, condensation and eliminate moisture.)

### 0.002Lux Ultra Low-light

The starlight camera is able to deliver high detailed color images even in low light environment reaching 0.002Lux(Color) or 0Lux(B/W), and near infrared light environments without any supplementary lighting.

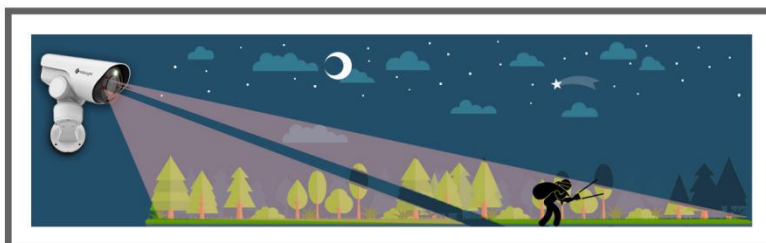


### 12x Optical Zoom

The 12x optical zoom can zoom up to distant subjects while still maintaining the clarity, delivering high quality video over the entire zoom range.

### Flexible Installation Modes

With two installation modes of Wall Mount and Pedestal Mount, the PTZ camera, to a greater extent, meets different installation needs for different application scenarios.



### IR LEDs & White LED

Enable 100 meters distinct images at night with IR LEDs as well as express alarm and deliver colorful surveillance with the White LED.

# 12x H.265 Mini (PoE) PTZ Bullet Network Camera



	Model	MS-C2961-(R)E(P)B(2MP)	MS-C4461-(H)E(P)B(4MP)	MS-C5361-(H)E(P)B(5MP)
Camera	Image Sensor	1/2.8" Progressive Scan CMOS	1/3" Progressive Scan CMOS	1/2.8" Progressive Scan CMOS
	Min. Illumination	Color: 0.002Lux@F1.2 B/W: 0Lux with IR on	Color: 0.008Lux@F1.2 B/W: 0Lux with IR on	Color: 0.005Lux@F1.2 B/W: 0Lux with IR on
	WDR	140dB Super WDR	120dB Super WDR	
	Shutter Time	1/100000s~1s		
	IR Distance	Up to 100m		
	Digital Zoom	16x		
	Day&Night	ICR Filter Auto Switch		
	Lens	Focal Length	5.3~64mm, 12x Optical Zoom	
Zoom Speed		3.1s		
Field of View		H61°~H5°/D69°~D5°/ V36°~V2°	H57°~H4°/D65°~D5°/ V35°~V2°	H57°~H4°/D69°~D5°/ V44°~V1°
Minimum Working Distance		1000~1500mm (Wide-Tele)		
Aperture		F1.6~F2.8		
PTZ	Pan Range	360°endless		
	Pan Speed	Pan Manual Speed: 0.2°~60°/s, Pan Preset Speed 100°/s		
	Tilt Range	-45°~30°		
	Tilt Speed	Tilt Manual Speed: 0.2°~30°/s, Tilt Preset Speed 60°/s		
	Proportional Zoom	Support		
	Preset Quantity	255		
	Preset Freezing	Support		
	Patrol	8 Patrols, up to 48 presets each patrol		
	Pattern	4 Patterns		
	Power Off Memory	Support		
	PTZ Position Display	ON/OFF		
3D Positioning	Support			
Video	Max. Image Resolution	1920x1080	2592x1520	2592x1944
	Primary Stream	60fps@(1920x1080)(Optional), 30fps@(1920x1080, 1280x960, 1280x720, 704x576)	30fps@(2592x1520)(Optional), 20fps@(2592x1520), 30fps@(2304x1296, 1920x1080, 1280x960, 1280x720, 704x576)	30fps@(2592x1944)(Optional), 20fps@(2592x1944), 30fps@(1920x1080, 1280x960, 1280x720, 704x576)
	Secondary Stream	30fps@(704x576, 640x480, 640x360, 352x288, 320x240, 320x192, 320x176)		
	Tertiary Stream	30fps@(1920x1080, 1280x720, 704x576, 640x480, 640x360, 320x240, 320x192, 320x176)		
	Video Compression	H.265+/H.265(HEVC)/H.264+/H.264/MJPEG		
	Video Bit Rate	16Kbps~16Mbps(CBR/VBR Adjustable)		
	Image Setting	Brightness/Contrast/Saturation/Sharpness		
Network	Ethernet	1*RJ45 10M/100M Ethernet Port		
	Network Storage	NAS(Support NFS, SMB/CIFS)		
	Protocol	IPv4/IPv6, TCP, UDP, RTP, RTSP, RTCP, HTTP, HTTPS, DNS, DDNS, DHCP, FTP, NTP, SMTP, SNMP, UPnP, SIP, PPPoE, VLAN, 802.1x, QoS, IGMP, ICMP, SSL		
System	Alarm I/O	1/1		
	Storage	Support microSD/SDHC/SDXC Card Local Storage, up to 128G		
	Advanced Function	<b>Auto Tracking</b> , Motion Detection, Privacy Masking, Backlight Compensation, HLC, 2D DNR, 3D DNR, ROI, Anti-fog, White Balance, EIS, IP Address Filtering		
	SIP/VoIP Support	Yes, Voice & Video-over-IP		
	Event Trigger	Motion Detection, Network Disconnection, External Input, etc.		
	Event Action	FTP Upload/ SMTP Upload/ SD Card Record/ External Output/ SIP Phone/ White LED/ PTZ Motion		
	Video Analysis (Optional)	Region Entrance, Region Exiting, Advanced Motion Detection, Tamper Detection, Line Crossing, Loitering, Human Detection, People Counting, Object Left, Object Removed		
System Compatibility	ONVIF Profile S & G			
General	Working Temperature	-40°C~60°C		
	Working Humidity	0~90%(Non-condensing)		
	Power Supply	DC 12V/2A±10% / PoE (802.3at)(Optional)		
	Power Consumption	10.5W MAX 20W MAX (With IR on)		
	Weather Proof	Up to IP66-rated for Weather-resistant Performance		
	Weight	2Kg (Wall Mount) / 1.8Kg (Pedestal Mount)		
	Dimensions	160mmX273.5mmX210mm (Wall Mount) / 218mmX120mmX172mm (Pedestal Mount)		
	Warranty	2 Years		

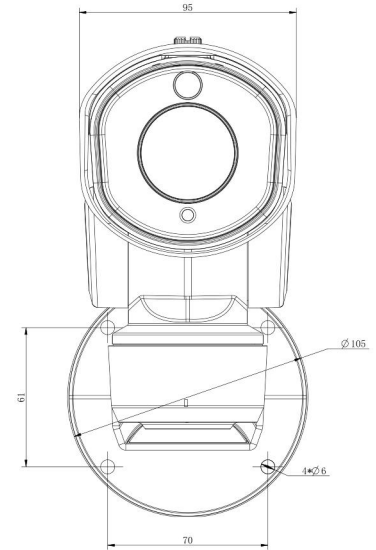
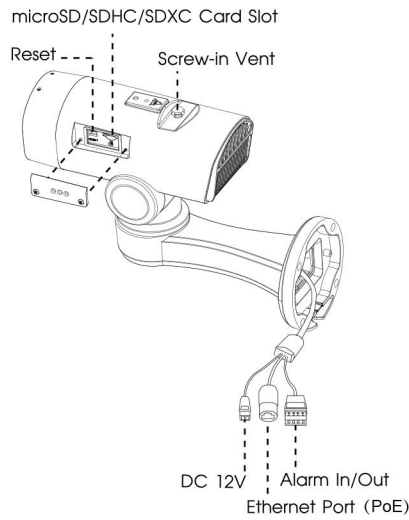
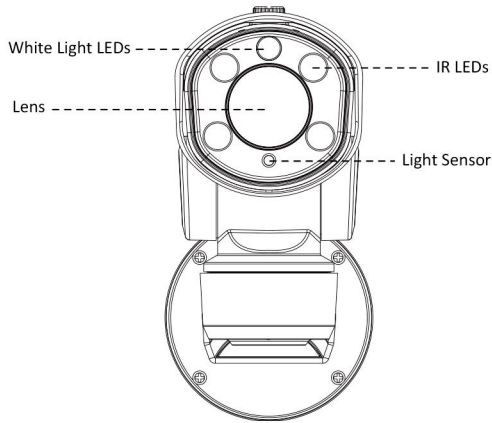
V7.12

# 12x H.265 Mini (PoE) PTZ Bullet Network Camera

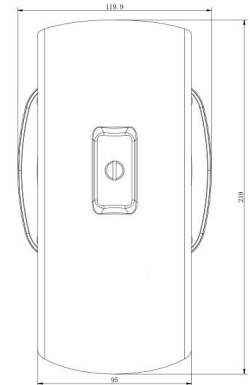
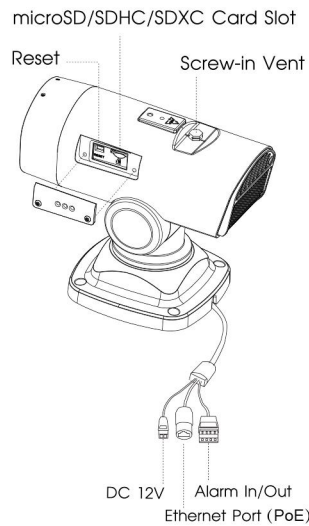
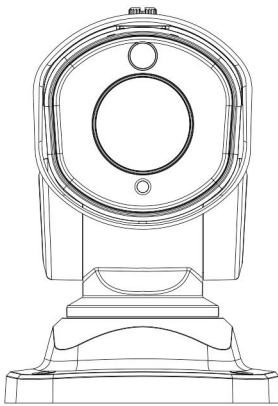


## Structure Diagrams

### Wall Mount:



### Pedestal Mount:



Units: mm

## Accessories Support

A01 Pole Mount

Weight: 720g  
Dimensions: 170\*51.5\*152.6mm

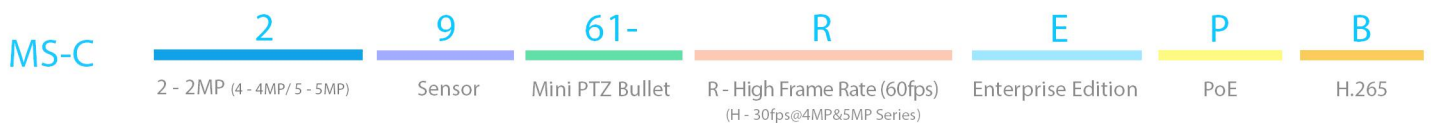


A62 Junction Box

Weight: 510g  
Dimensions: 134\*127\*40mm



## Naming Convention



Milesight Technology Co.,Ltd. | [www.milesight.com](http://www.milesight.com)

Contact Us: [sales@milesight.com](mailto:sales@milesight.com) [support@milesight.com](mailto:support@milesight.com)

Add: 220 NE 51st Street, Oakland Park, Florida 33334, USA  
Tel: +1-800-561-0485

Add: 9F/901, Star Valley B/D Digital-ro 9gil 99, Geumcheon-gu, Seoul, Korea  
Tel: +82-2-839-3335

Add: No.23 Wanghai Road, 2nd Software Park, Xiamen, China  
Tel: +86-592-5922772

