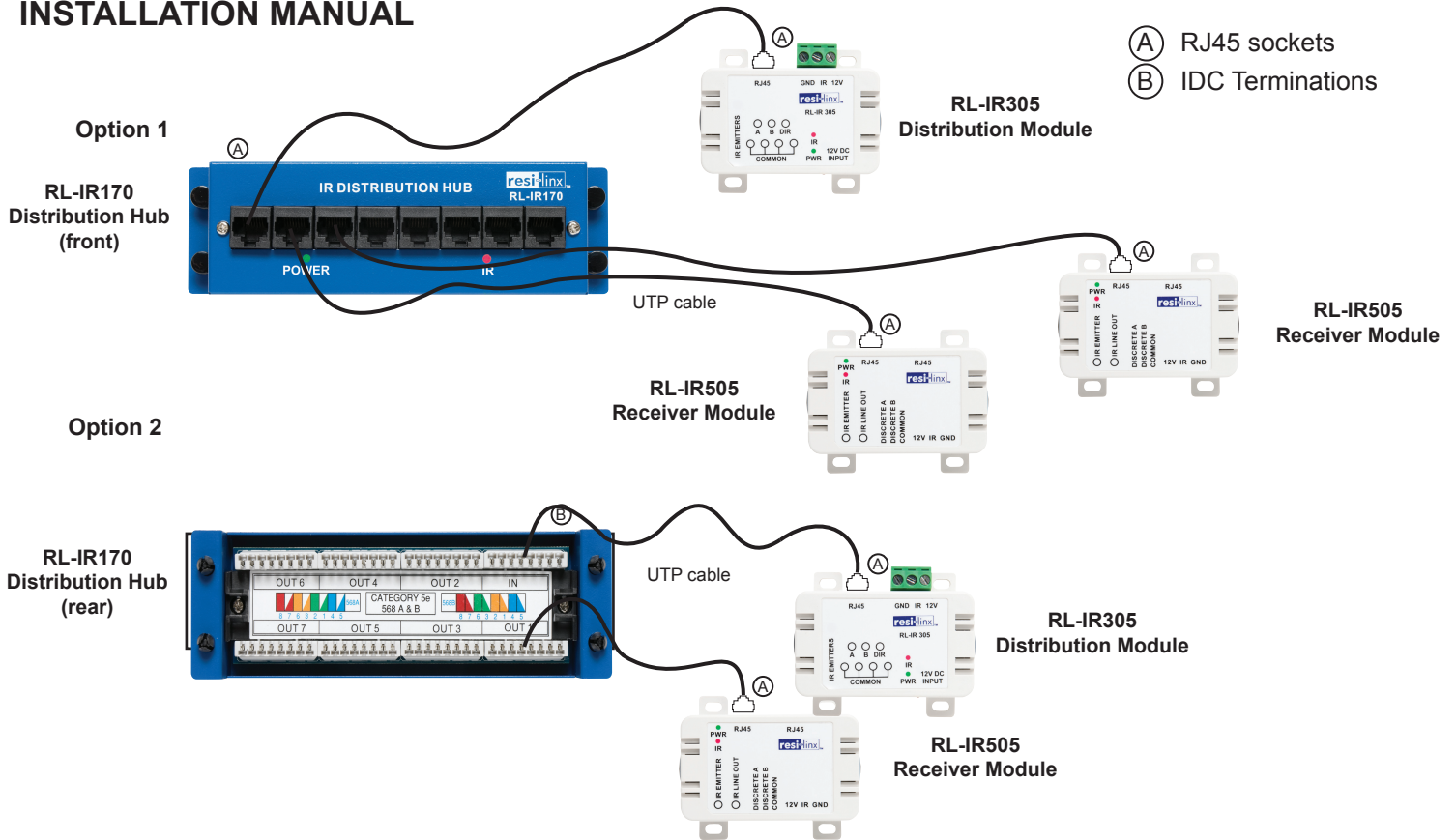


INSTALLATION MANUAL



IR Distribution Hub (RL-IR170)

1. IR Distribution Hub allows connection of 1 Distribution Module (RL-IR305) and up to 7 Receiver Modules (RL-IR505) to be connected to a single point, eliminating unnecessary issues.
2. Modules can be connected to the system in a star wired configuration by:
 - (a) running UTP cable from RJ45 socket on Distribution and/or Receiver Module (RL-IR305/505) to RJ45 socket on front of IR Distribution Hub.
 - (b) running UTP cable from RJ45 socket on Distribution and/or Receiver Module to punchdown terminations on rear of IR Distribution Hub.

NOTE: A combination of Option 1 and 2 is also possible
3. POWER LED indicator on IR Distribution Hub remains illuminated while RL-IR305 is powered.
4. IR LED indicator on IR Distribution Hub illuminates briefly upon receipt of IR commands.

NOTE: It is possible to connect a second RL-IR305 Distribution Module if multiple of the same devices that require controlling are housed in different locations. Outputs DISCRETE A / B / COMMON are the same on both RL-IR305's.

Troubleshooting

NOTE: Some brands of TV/Monitors can reduce the range of the IR Receiver head, which is outside the scope of the warranty.

linx-IR Distribution Hub	
Connections	8 x 8 way IDC terminations 8 x RJ45 sockets
Cable Requirement	UTP
Max cable length per system	Up to 60 metres
Max Targets per system	Up to 7 targets
Power Requirement	Powered remotely by Distribution Module

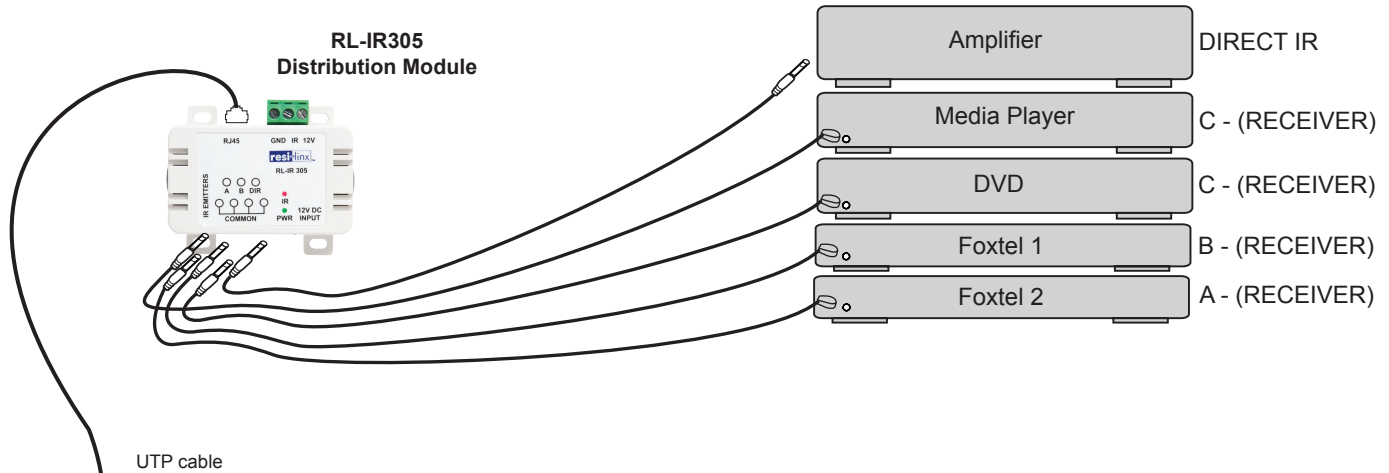
WARRANTY

Vcomm Pty Ltd states that the warrant that the customer can rely on is that provided by the manufacturer. In the event of any warranty claim please contact us and we will forward it to the manufacturer. The manufacturer will then determine the extent of their liability. This expressly negates, to the extent possible by Australian law, any warranty reliance on Vcomm Pty Ltd.

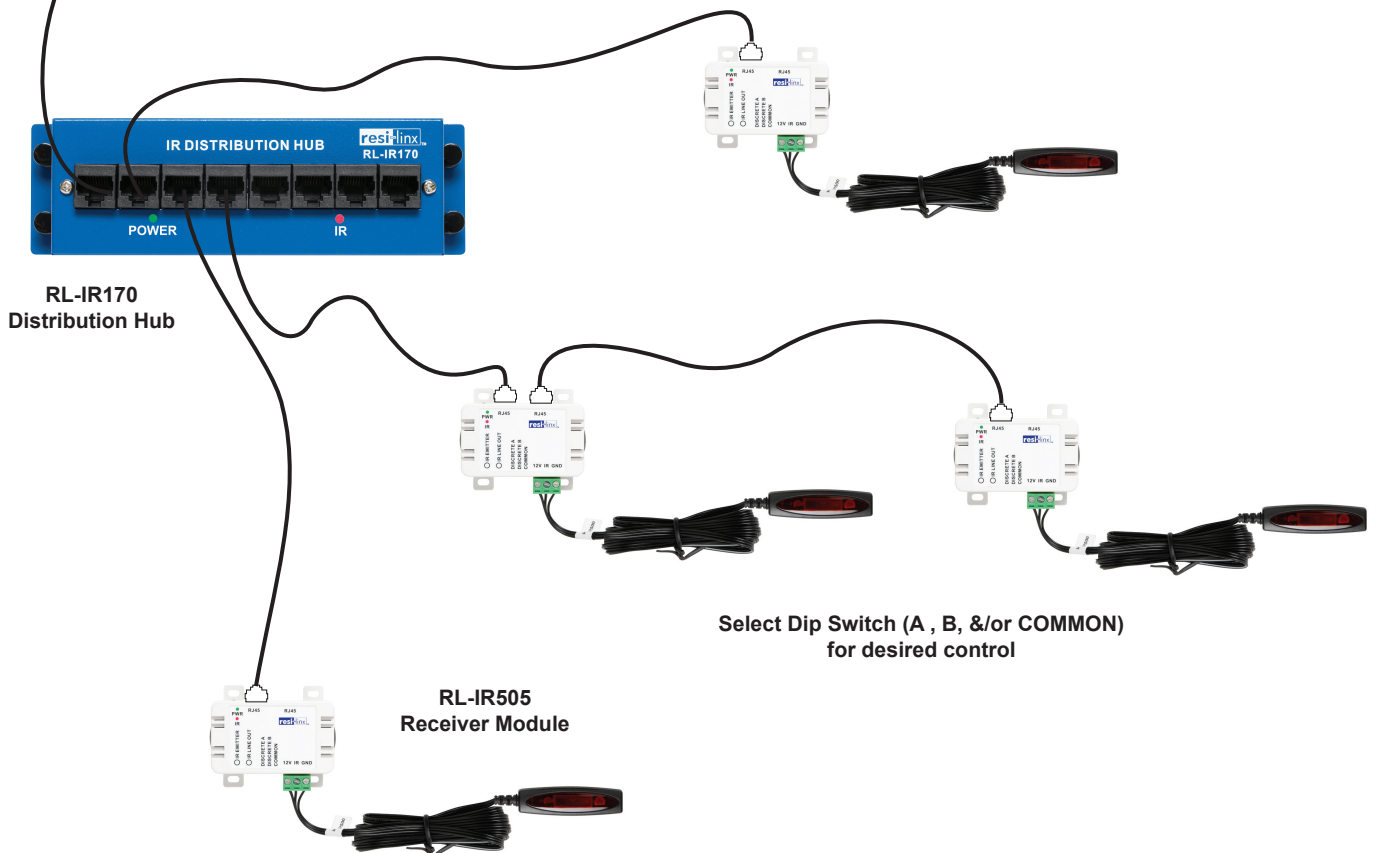
Vcomm Pty Ltd
ABN: 99 091 281 524

Patented

www.resi-linx.com



INSTALLATION EXAMPLES



WARRANTY

Vcomm Pty Ltd states that the warrant that the customer can rely on is that provided by the manufacturer. In the event of any warranty claim please contact us and we will forward it to the manufacturer. The manufacturer will then determine the extent of their liability. This expressly negates, to the extent possible by Australian law, any warranty reliance on Vcomm Pty Ltd.

Vcomm Pty Ltd
ABN: 99 091 281 524

Patented

www.resi-linx.com