

HD-1608 Single HD Digital Modulator User Guide and Install Manual

TABLE OF CONTENTS

SAFETY PRECAUTIONS.....	2
PACKAGE CONTENTS.....	2
PRODUCT DESCRIPTION.....	3
Features.....	3
SPECIFICATIONS.....	4
INSTALLATION.....	5
UNPACKING and INSPECTION.....	5
HARDWARE INSTALLATION and CONNECTIONS.....	5
Reset to Default.....	6
MODULATOR SETUP AND CONFIGURATION.....	7
DEVICE Programming and Setup.....	7
Front Panel LCD Encoder Menu Map.....	7
Modulator Configuration via Front Panel LCD.....	8
<i>Common Setup Menu.....</i>	<i>8</i>
<i>RF Setup Menu.....</i>	<i>8</i>
<i>Encoder Setup Menu.....</i>	<i>9</i>
HD-1608 HD Encoder/Modulator Notes.....	10

SAFETY PRECAUTIONS



The presence of this symbol is to alert the installer and user to the presence of uninsulated dangerous voltages within the product's enclosure that may be of sufficient magnitude to produce a risk of electric shock.

TO REDUCE THE RISK OF FIRE OR ELECTRIC SHOCK, DO NOT EXPOSE THIS DEVICE TO RAIN OR MOISTURE. DO NOT OPEN THE UNIT. REFER SERVICING TO QUALIFIED PERSONNEL ONLY.

- ❖ DO NOT apply power to the unit until all connections have been made, all components have been installed and all wiring has been properly terminated.
- ❖ DO NOT terminate, change or uninstall any wiring without first disconnecting the unit's power adapter from the device.
- ❖ This device is supplied with the appropriately rated 12VDC power supply with the center pin positive. The use of any other power supply could cause damage and invalidate the manufacturer's warranty.
- ❖ DO NOT power on the unit until all cables and connections to the device have been properly connected.
- ❖ The device should be installed in an environment consistent with its operating temperature specifications. Placement next to heating devices and ducts is to be avoided as doing so may cause damage. The device should not be placed in areas of high humidity.
- ❖ DO NOT cover any of the device's ventilation openings.
- ❖ If the device has been in a cold environment allow it to warm to room temperature for at least 2 hours before connecting power.



PACKAGE CONTENTS

This package contains:

- ❖ One HD-1608 HD Digital Modulator
- ❖ One Power Adaptor
- ❖ One User Guide and Install Manual

Inspect the package before starting installation to ensure there is no damage and all supplied contents are present. Contact your distributor or dealer should the device be damaged or package contents are incomplete.

PRODUCT DESCRIPTION



digi-MOD HD by ZyCast HD-1608 Modulator converts Digital Video Broadcasting (DVB) high definition video and audio signals to COFDM. The unit's front-mounted LCD display allows for easy configuration and adjustments.

The compact and economical HD-1608 Modulator is perfect for multi-video distribution solutions in the commercial and institutional market (hotels, motels, sports bars, restaurants, hospitals, casinos, business and university campuses, digital signage, etc.) as well as home entertainment systems.

Features

- ✧ H.264 (MPEG-4/AVC)
- ✧ HDMI Input, RF Output
- ✧ Video resolution: Up to 1080p
- ✧ Perfect, clean and clear HD picture on high motion video, sports, text crawls/rolls, etc.
- ✧ Front Panel LCD
- ✧ Cool & silent operation

SPECIFICATIONS

INPUT	HD-1608
Video Input	HDMI
Video Input Level	0.7 – 1.4V(peak-to peak)
Video Mode	PAL / NTSC
Audio input	Stereo
Audio Input Level	0.4 – 4.8V (p-to-p)
OUTPUT	
Frequency Range	Local country available
Output Level	85 dB μ V
MER	>36 dB typ.
MODULATION	
Video Resolution	480i, 480p, 576i, 576p, 720p, 1080i, 1080p
Video Compression	H.264 AVC
Audio Compression	MPEG1 Layer II / AAC
LCN	Yes
Carrier (OFDM Mode)	2K/8K
Guard Intervals	1/32
Code Rate (FEC)	7/8
Constellations	64-QAM
GENERAL	
Power Supply	12 VDC 1.5 Amp.
Consumption	500 mA
Operating Temperature	0oC to +45oC
Storage Temperature	-10oC to +60oC
Languages	English
Dimensions	190mm x 148mm x 38mm
Weight	600g

****Specifications subject to change without prior notice***

INSTALLATION



System Installer must adhere to Article 820-40 of the NEC that provides guidelines for proper grounding and specifies that the cable ground shall be connected to the grounding system of the building, as close to the point of cable entry as possible.

UNPACKING and INSPECTION

Each unit is shipped factory tested. Ensure all items are removed from the container prior to discarding any packing material.

Thoroughly inspect the unit for shipping damage with particular attention to connectors and controls. If there is any sign of damage to the unit or damaged or loose connectors contact your distributor immediately. Do not put the equipment into service if there is any indication of defect or damage.

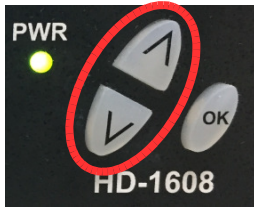
HARDWARE INSTALLATION and CONNECTIONS



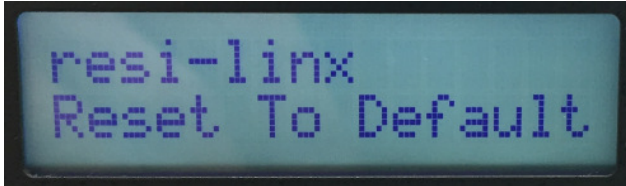
1. Use a HDMI cable to connect the video source (e.g., CATV, DVD, VCR, Camera) to the unit's HDMI IN port. It is highly recommended that quality HDMI cable be used for all video source connections.
2. Use a quality 75Ω coaxial cable with "F" connectors from the unit's **RF OUT** jack to the distribution system (combiner or reverse splitter) or directly to a television.
3. Connect the included adaptor to the unit's DC 12V Power plug.
4. Connect the adaptor to an appropriately rated AC power outlet.

Reset to Default

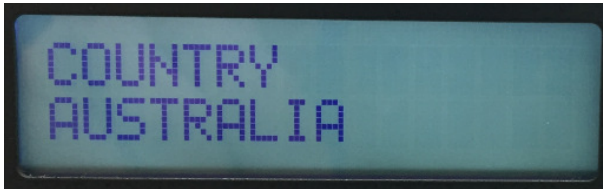
1. Turn OFF the unit. While pressing UP and DOWN buttons at the same time, turn ON the unit.



2. Release the UP and DOWN buttons when the LCD shows Reset To Default.



3. Press OK button to select Country : Australia or New Zealand



4. Press OK button again when the country selected, then press UP or DOWN button to show SAVE & EXIT.



5. Press OK button to Save and Exit.



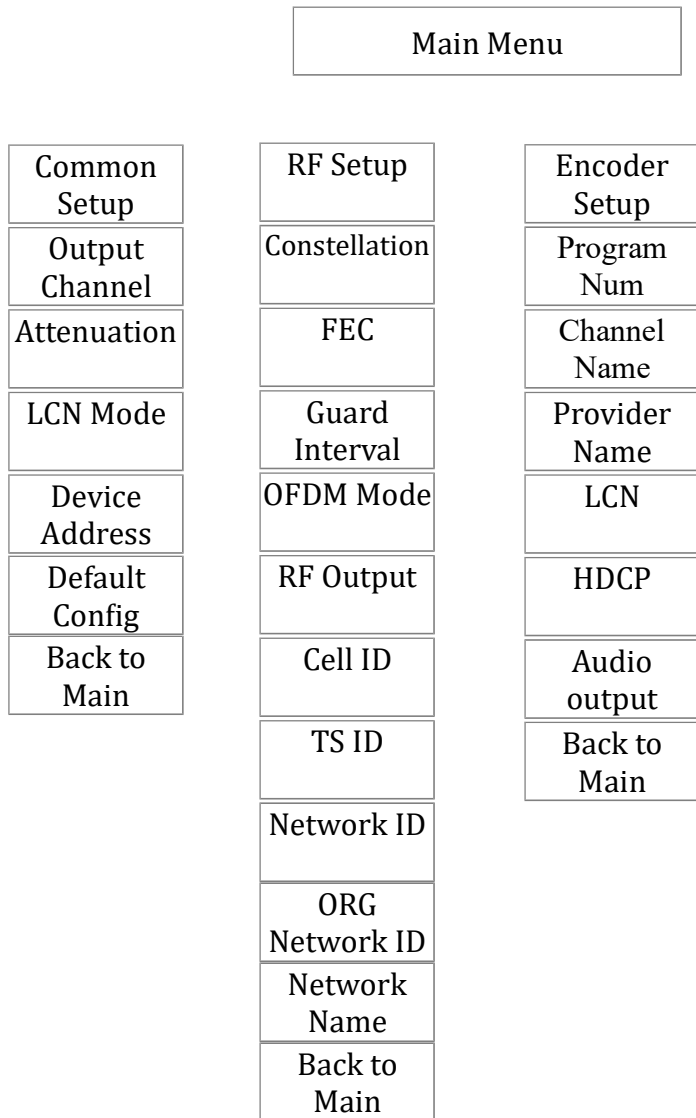
Caution: Once this process is complete the unit will automatically reset to the factory default settings. All settings or changes to the encoder/modulator will be lost.

MODULATOR SETUP AND CONFIGURATION

DEVICE Programming and Setup

You can use the LCD Front Panel to setup and program the Encoder

Front Panel LCD Encoder Menu Map



Modulator Configuration via Front Panel LCD

Once the encoder is powered up it will go through its initial booting process. Once the unit has completed its initial “Booting” up process the LCD will display IN-1..., Bit Rate information, CHANNEL-1..., and other information in the LCD Display Window. When visible the unit is ready for programming or operation.

Main Menu– To access the Main Menu first enter the password by pressing the OK button. Use the Scroll Up/Down buttons to enter the password. The password is - **0000**.Once the password is entered press the OK button again and the LCD Screen will display “ **...HD Series**”.

Common Setup Menu

- **Output Channel** – Use the Scroll Up/Down button to change the output channel. Use the Scroll Up/Down buttons to select the desired Output Channel. Once the desired output channel is selected press the OK button to set the channel.

The LCD Display will show both the channel number and the frequency number of the output channel (example: 39 (606.5 MHz))

- **Attenuation** – Use the Scroll Up/Down button to select Attenuation. Press the OK button to enter the Attenuation menu. Use the Scroll/Up down button to select the desired attenuation in 1dB increments from 0 to minus 20 dB. Once the desired attenuation level is found press the OK button to set.
- **LCN MODE** – LCN MODE default AUSTRALIA.
- **Device Address** – Use the Scroll Up/Down button to select Device Address. Press the OK button to enter the Device Address menu. Use the Scroll Up/Down to select the Desired Address ranging from 1 to 255 then press OK to set. A unique device address is required if setting up more than 1 encoder per site. This allows the user to distinguish each device.
- **Default Configuration** –To reset the Encoder/Modulator back to the factory default select the Default Configuration Menu. Press OK to enter the Default Configuration Menu. There are three options that you can choose. Using the Up/Down button select No, New Zealand and Australia. Press OK to reset all programmed settings back to the factory default setting.
- **Back to Main**- Select Back to Main to escape the Common Setup Menu.

RF Setup Menu

- **Constellation** – The factory default is QAM64.
- **FEC**- The FEC is default 7/8.
- **GUARD INTERVAL** – The GUARD INTERVAL is default 1/32.
- **OFDM** - Use the Scroll Up/Down button to select the OFDM menu. Press the OK button to enter the OFDM menu. Use the Scroll Up/Down to select the OFDM 2K or 8K. Press OK to set.
- **RF Output** – The FEC is default Normal.
- **CELL ID** – The factory default is 0.

- **TS ID** – Use the Scroll Up/Down button to select TS ID. Press the OK button to enter the TS ID menu. Use the Scroll Up/Down button to select the desired Stream ID ranging from 1 to 65535 then press the OK button to set.
- **Network ID** – Use the Scroll Up/Down button to select Network ID. Press the OK button to enter the Network ID menu. Use the Scroll Up/Down button to select the desired Network ID ranging from 1 to 65535 then press the OK button to set.
- **ORG Network ID** – Use the Scroll Up/Down button to select ORG Network ID. Press the OK button to enter the ORG Network ID menu. Use the Scroll Up/Down button to select the desired ID ranging from 1 to 65535 then press the OK button to set.
- **Network Name** – Use the Scroll Up/Down button to select Network Name. Press the OK button to enter the Network Name menu. Use the Scroll Up/Down button to select the first character for the desired Network Name then press the OK button to set. Repeat the process for each character in the desired Network Name. A Network Name can consist up to 16 characters.
- **Back to Main**- Select Back to Main to escape the RF Setup Menu.

Encoder Setup Menu

- **Program Num** - Use the Scroll Up/Down button to set 1 Program Num(Number). Press the OK button to enter the Program Num menu. Use the Scroll Up/Down to select Program Num ranging from 1 to 65534 then press OK to set.
- **Channel Name** – Use the Scroll Up/Down button to select Channel Name. Press the OK button to enter the Channel Name menu. Use the Scroll Up/Down menu to select the first character of the desired Channel Name then press the OK button to set. Repeat the process until the Channel Name is completed.

The Channel Name can be 7 characters long. Factory Default: CHANNEL-1.

- **PROVIDER NAME** – Use the Scroll Up/Down button to select Provider Name. Press the OK button to enter the Provider Name menu. Use the Scroll Up/Down menu to select the first character of the desired Provider Name then press the OK button to set. Repeat the process until the Provider Name is completed. The Provider Name can be 16 characters long.
- **LCN**-Use the Scroll Up/Down button to set LCN. Press the OK button to enter The Source ID menu. Use the Scroll Up/Down to set the Source ID. Range: 1 to 999. Press OK to set. Factory default : 101.
- **HDCP**- Use the Scroll Up/Down button to select the HDCP menu- Use the Scroll Up/Down button to select the HDCP menu. Press the OK button to enter the HDCP menu. Select Enable / Disable, and press OK to set.

NOTE: It is the installers / property owner / integrator's responsibility to contract with the service provider regarding content authorization and the use of HDCP.

- **Audio Output** – Use the Scroll Up/Down button to select Audio Output. Press the OK button to enter the Audio Output menu. Use the Scroll Up/Down button to select the Audio Output option: MP2 (MPEG1 Layer2 Audio), AAC. Factory default: MP2. Press the OK button to set.
- **Back to Main**- Select Back to Main to escape the RF Setup Menu.

HD-1608 HD Encoder/Modulator Notes

PRODUCT NOTES:

ITEM	VALUE
DEVICE NAME	
PURCHASE DATE	
INSTALLATION DATE	
SERIAL NUMBER	
FIRMWARE VERSION	

digi-MOD[®] **HD** by ZyCast[®]

www.digi-modbyzycast.com.tw

WARRANTY

digi-MOD states that the warrant that the customer can rely on is that provided by the manufacturer. In the event of any warranty claim please contact your place of purchase and it will be forwarded it to the manufacturer. The manufacturer will then determine the extent of their liability.