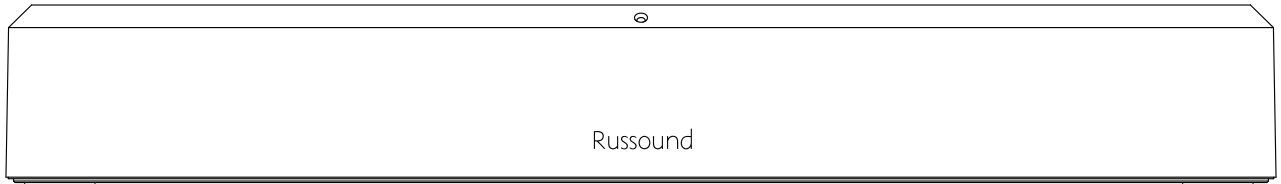
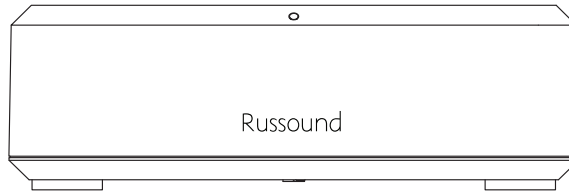


a sound relationship

Russound



BSK-2

Bluetooth Source Kit

INSTALLATION GUIDE

OVERVIEW

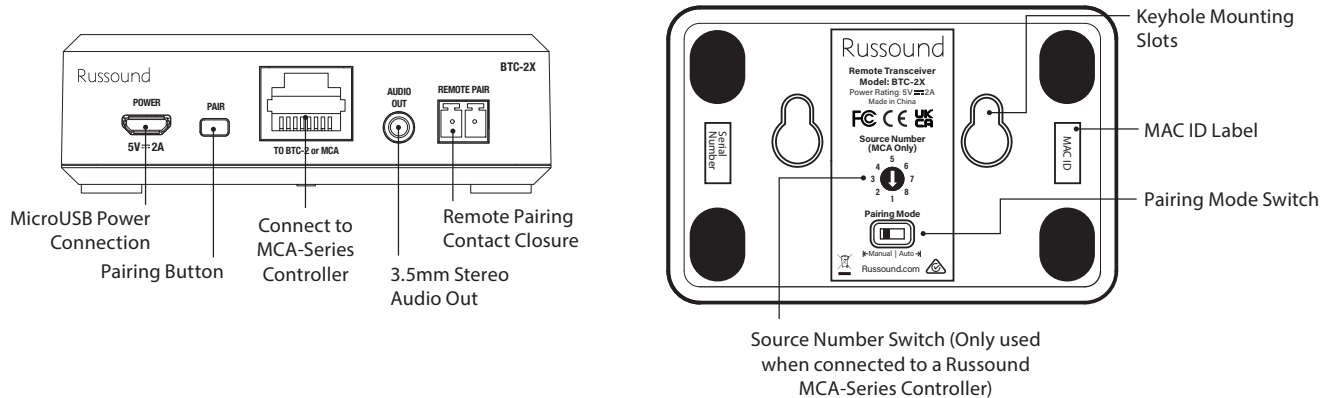
Thank you for purchasing the BSK-2 Bluetooth Source Kit from Russound. Since 1967, Russound has been providing audio professionals with the tools they need to enhance the lives of their customers. The BSK-2 can be used in multiple ways:

- To provide multiple Bluetooth inputs to a Russound controller in the same installation
- To allow a Bluetooth radio to be located up to 500' (165m) from connected audio gear, allowing for the ultimate in Bluetooth range in any home or business.

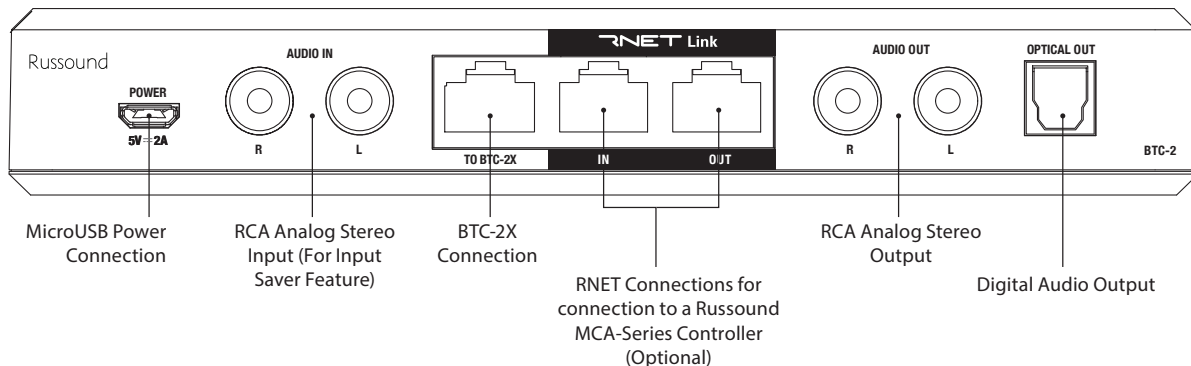
The BSK-2 is a complete kit composed of the BTC-2X Bluetooth Remote Transceiver and the BTC-2 Termination Box. Russound sells the BTC-2X separately for standalone applications where the extended range is not needed, or when the BTC-2X is to be used as the only Bluetooth device used with a Russound MCA-Series controller.

With its advanced Bluetooth 5.1 technology, the BSK-2 is the perfect solution for your Bluetooth audio needs.

GETTING TO KNOW YOUR BTC-2X



GETTING TO KNOW YOUR BTC-2



USING YOUR BSK-2 BLUETOOTH SOURCE KIT

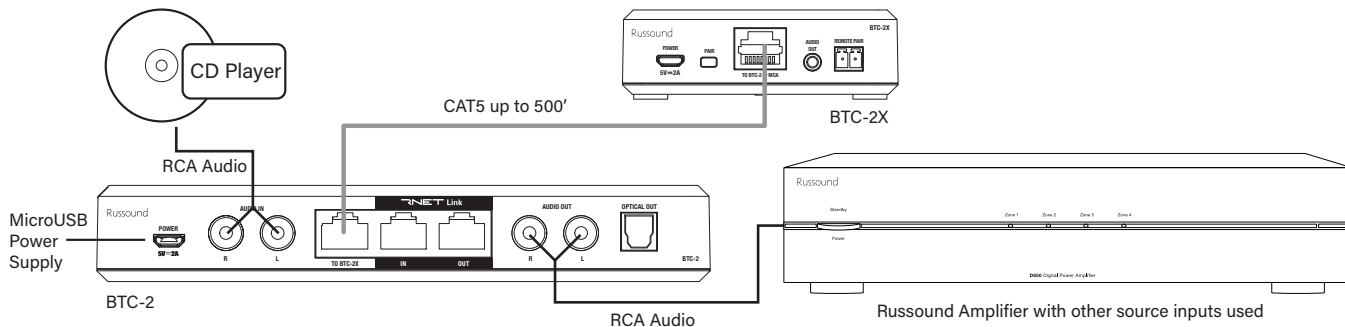
The BSK-2 is a unique Bluetooth solution that allows audio connections to be made at an amplifier or receiver while locating the Bluetooth radio (found in the BTC-2X) up to 500' (152m) away in the area of the home closer to a user's phone or tablet that is being used as the Bluetooth audio source.

Input Saver Feature

The BSK-2 offers a helpful input saver design. With many of today's audio devices reducing the number of dedicated inputs, the BSK-2 allows you to add Bluetooth to any system without requiring a new input connection. The input saver allows you to connect any audio source and have it be the primary audio source until Bluetooth is activated. Whenever a Bluetooth audio signal is detected, the audio content will automatically switch to Bluetooth. When the Bluetooth signal stops, the audio content will automatically switch back to the other source.

OPERATION

This means that the BSK-2 is ideal for use directly with stereo or multi-channel amplifiers and can be connected even if all inputs on the amplifier are already in use.



POWER CONNECTION

Use the included MicroUSB power cable and the included 5VDC power supply to supply power to the BTC-2. The power supply includes adaptor plates for US, UK, Euro, and AUS power sockets. To change the adaptor, simply press the button marked "Push" to release the plate and, after aligning the new adaptor plate properly, simply snap it into place until it clicks.

Please note that both the BTC-2 and the BTC-2X have a MicroUSB power input. When used together, power is supplied to the BTC-2 and the only connection needed on the BTC-2X is a CAT-5 cable that will carry power, data, and audio signals up to 500' (152m).

PAIRING MODE

The BTC-2X has two pairing modes: automatic and manual, which are set via a convenient slide switch on the bottom of the BTC-2X.

Automatic Pairing

Automatic Pairing is the simplest method and is designed for use in most residential single-family homes or any environment where it is not likely to have any neighbors or other people close enough to pair their phones or tablets to the BTC-2X. When not connected to a phone or tablet, the BTC-2X will always be available to pair with any new device within range that requests pairing.

Manual Pairing

Manual Pairing is designed for all applications when greater control over the Bluetooth connections is desired and especially in environments where multiple homes are within Bluetooth range such as Multi-Dwelling Units (MDU's) like condominiums, townhouses, apartments, etc.

When in manual pairing mode, the BTC-2X will only be able to pair with new phones or tablets when not connected to a device and someone:

- a) Presses the "Pair" button on the rear panel of the BTC-2X; - **OR** -
- b) Activates the "Remote Pair" contact closure on the rear panel of the BTC-2X. The Remote Pair is a unique optional feature that allows an installation professional to wire a simple push button control or to use an automated contact closure from a smart home control system. This allows the BTC-2X to be hidden completely from sight and still be able to be put into pairing mode easily when desired.

NAMING YOUR BTC-2X

A convenient feature of the BTC-2X is the ability to re-name it to a “friendly” name that makes it easier to access and use in your home. The default name of the BTC-2X is “BTC-2X-ZZZZ” with “ZZZZ” being the last four digits of the device’s MAC ID.

After installing your BTC-2X using one of the configuration options listed below, you can easily rename it to something more convenient. For example, if you install the BTC-2X in your Living Room, you can rename it to “Living Room” so that it is easier to identify on your phone or tablet’s list of available Bluetooth devices.

To rename your BTC-2X

- 1) Download and install the Russound BTC-2X Naming App from either the App Store or the Google Play Store.
- 2) With the BTC-2X powered up, within Bluetooth range, and already paired to your phone, open the BTC-2X Naming App.
- 3) The app should automatically discover all Russound BTC-2X devices within range. You can refresh the screen by swiping down in the app.
- 4) Once your BTC-2X is discovered, select it and tap “Connect”. Once connected, you can enter a new Bluetooth name and tap “Enter”.
- 5) Your BTC-2X has now been configured with the new name.

Note: Names can be up to 15 characters long and composed of any mix of letters from A-Z, Numbers 0-9 and the “-” character. To avoid confusion, we recommend using a different name from all other Bluetooth devices in the home.

Audio Connections with the BSK-2 Kit

The BSK-2 Kit has two components, the BTC-2X Bluetooth Remote Transceiver and the BTC-2 Termination Box. The BTC-2 should be located near your audio equipment and the BTC-2X in the area of the home where the Bluetooth audio source is going to be used. A CAT-5 cable is used to connect the two. The CAT-5 cable carries data, power, and the audio signal between the two.

Audio output from the BTC-2 can be either analog stereo RCA or optical digital. You are free to use either one depending on your preference or the availability of inputs on your amplifier or receiver.

From the BTC-2, simply connect either the RCA analog stereo outputs to your amplifier or receiver or connect the Tos-link Digital Optical connection depending on your available inputs on your amplifier or receiver (cables not included).

USING YOUR BTC-2X WITH A RUSSOUND MCA-SERIES CONTROLLER

The BSK-2 Bluetooth Source Kit can be used when adding more than one Bluetooth source to a Russound MCA-Series Controller. All of the connections are made as listed above, but several additional steps are necessary:

Setting the Source Number

Before using the BTC-2X with a Russound MCA-66 or MCA-88, the source number switch on the bottom of the BTC-2X must be properly set to the same source number that is configured in the MCA-Series controller's WebConfig.

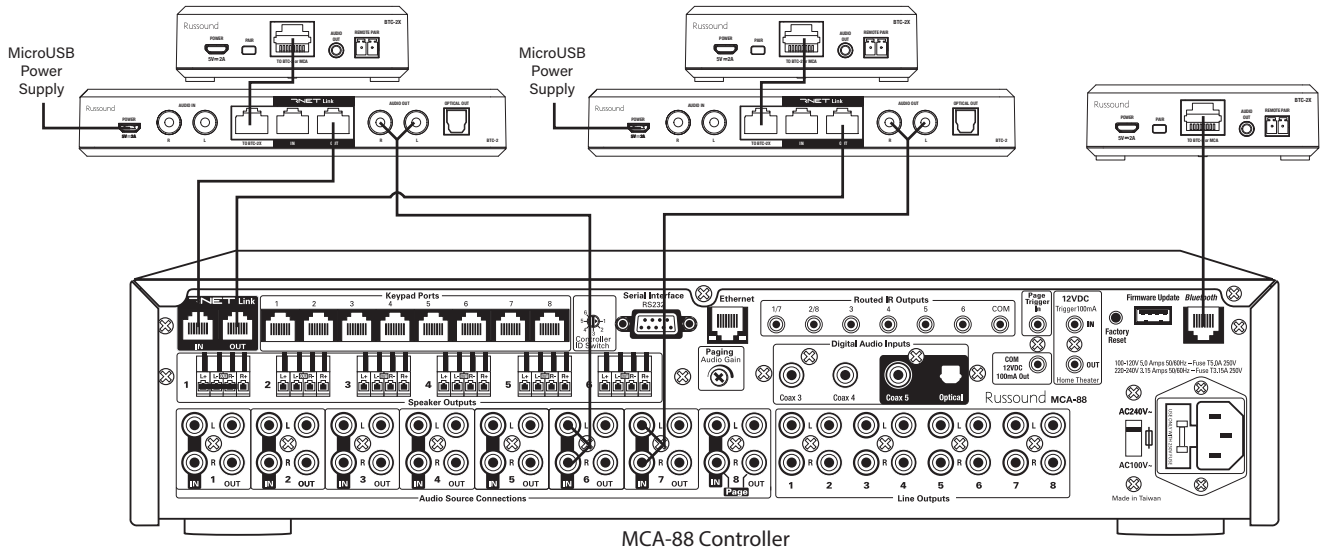
Set the rotary dial on the bottom of the BTC-2X to correspond with the same source number to be used on the MCA-66 or MCA-88 controller. Make sure that the MCA-Series controller's associated source type is configured with the Source Type of "BTC-2X".

Connecting to the Controller

Use a CAT-5 cable to connect one of the RNET ports on the back of the BTC-2 to an open RNET port on the rear of the MCA-Series controller.

When adding more than one BSK-2 kits, continue connecting from an open RNET port on the additional BTC-2 to an open RNET port on the controller or on a previously connected BTC-2. In other words, the BTC-2 boxes must be daisy chained together and then to the controller.

CONNECTING MULTIPLE BTC-2X/BTC-2 PRODUCTS WITH A MCA-SERIES CONTROLLER



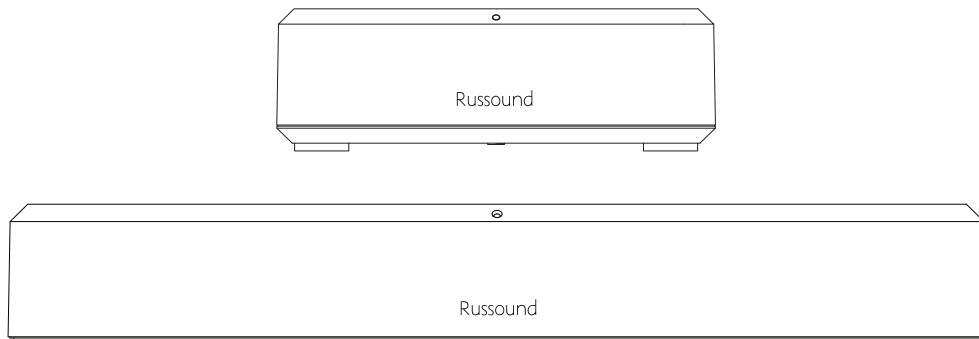
Make sure to adjust the “Source Number” rotary dial on the bottom of each BTC-2X to correspond with the source number being used for the audio input on the Russound controller and to configure the same audio source in the controller’s Web Config as a “BTC-2X”.

Metadata with the BTC-2X

When connected to a Russound MCA-Series controller (MCA-66 or MCA-88), the BTC-2X can provide metadata such as song titles, album name, etc that is visible on compatible Russound keypads, touchscreens or when using the Russound app. This metadata is available for any BTC-2X connected to the controller's Bluetooth input port as well as for any BTC-2X connected with the BTC-2 Termination Box that is connected to the controller using an RNET cable connection as mentioned previously.

Source Control with the BTC-2X

As with the metadata, the same BTC-2X devices can also receive control commands from the Russound controller using either connected keypads, touchscreens, or the Russound app. Use these to pause, resume play, skip forward and back, etc. on any compatible Bluetooth audio source devices.



BTC-2 SPECIFICATIONS

Connections	RJ-45, 3.5mm Audio Out, Remote Pairing RJ-45, Stereo RCA Input/Output, Toslink Digital Output, Remote Pairing
Max CAT-5/6 Cable Length to BTC-2X from Russound Controller	500' (152m)
Audio Out	RCA Stereo Analog and Toslink Digital Optical
Power Requirements	
BTC-2 Termination Hub	5VDC microUSB (110-220VAC Power Supply Included)
Dimensions (L x W x H)	6.5" (16.51 cm) x 4.6" (11.7cm) x 1" (2.54 cm)
Weight	0.8 lbs (0.36 kg)

BTC-2X SPECIFICATIONS

Bluetooth Version	5.1
Range*	Indoors - Up to 65' (20m) Outdoors - Up to 195' (60m)
Connections	RJ-45, 3.5mm Audio Out, Remote Pairing
Pairing Modes	Automatic, Manual, and Contact Closure
Max CAT5 Cable Length to BTC-2X from Russound Controller	500' (152m)
Audio Out	3.5mm Analog Stereo Out (Cable Not Included)
Power Requirements	
Standalone Operation	5VDC microUSB (110-220VAC Power Supply Included)
Working with BTC-2 or MCA Controller	Power Supplied by BTC-2 or MCA Controller via CAT5/6 Cable Connection (Not Included)
Dimensions (L x W x H)	3.375" (8.6 cm) x 2.25" (5.7 cm) x 1.13" (2.9 cm)
Weight	0.3 lbs (.14 kg)

a sound relationship

Russound

LIMITED WARRANTY

The **Russound BSK-2** is guaranteed for two (2) years from the date of purchase against all defects in materials and workmanship. During this period Russound will replace any defective parts and correct any defect in workmanship without charge for either parts or labor. For this warranty to apply, the unit must be installed and used according to its written instructions. If service is necessary, it must be performed by Russound. Russound assumes no responsibility for defects resulting from abuse or servicing performed by an agency or person not specifically authorized in writing by Russound. Damage to or destruction of components due to improper use voids the warranty. In these cases, the repair will be made at the owner's expense. Accidental damage and shipping damage are not considered defects under the terms of the warranty. To return for repairs, the unit must be shipped to a repair facility designated by Russound at the owner's expense, along with a Return Authorization number and documentation explaining the nature of the service required. Any product returned without

prior written permission will be returned to sender. Russound sells products only through authorized Dealers and Distributors to ensure that customers obtain proper support and service. Any Russound product purchased from an unauthorized dealer or other source, including retailers, mail order sellers and online sellers will not be honored or serviced under existing Russound warranty policy. Any sale of products by an unauthorized source or other manner not authorized by Russound shall void the warranty on the applicable product.

WARRANTY ADDRESS

Russound
Attn: RA# (Insert your RA number here)
1955 Wehrle Dr
Williamsville NY 14221

email: tech@russound.com